

**CHICAGO FAUCETS**  
a Geberit company

2100 South Clearwater Drive  
Des Plaines, IL 60018  
Phone: 847-803-5000  
Fax: 847-803-5454  
www.chicagofaucets.com

**REPAIR PARTS**

BY: JAR      DATE: 05-05-11  
CHK: *JAR*      REV:

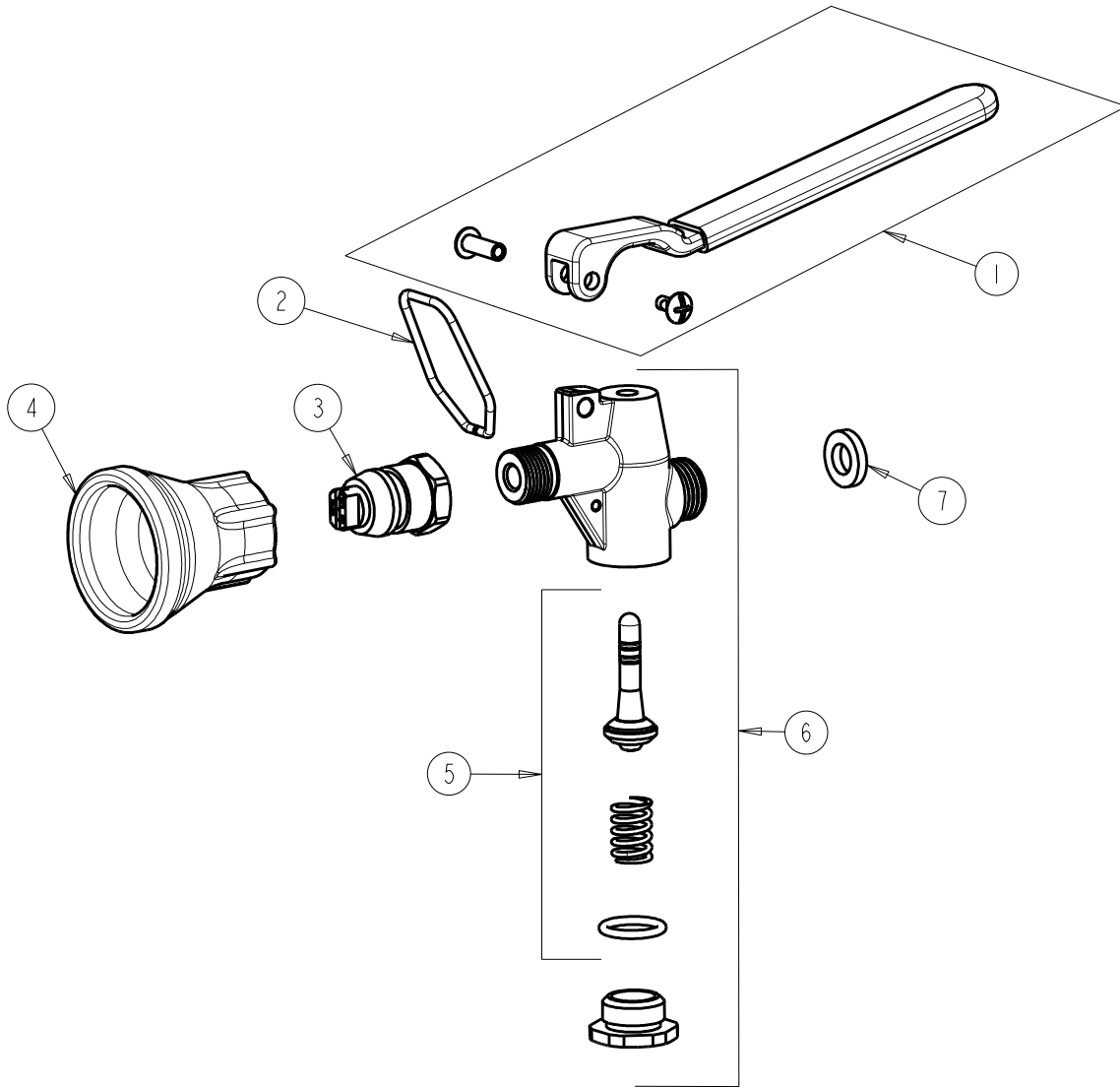
FITTING NO.

**90-LABCP**

SUBMITTED MODEL NO.

ITEM NO.

**FOR TECHNICAL ASSISTANCE**  
1-800-TEC-TRUE (1-800-832-8783)



NOTES:

1. ITEM 6 SUPPLIED ASSEMBLED
2. ITEM 3 IS ADHESIVED TO VALVE AT THE FACTORY BUT IS AVAILABLE AS 'JK' ITEM.

ITEM	PART NO.	DESCRIPTION
1	90-001KJKNF	KIT, PRE-RINSE HANDLE
2	919-153JKNF	HANDLE CLIP
3	919-158JKABNF	NOZZLE 1.0 GPM
4	919-151JKNF	BUMPER, RUBBER
5	919-130KJKABNF	KIT, VALVE STEM ASSEMBLY
6	919-430KJKABCP	KIT, PRE-RINSE VALVE ASSEMBLY
7	919-243JKNF	GASKET, .685 X .375 X .125